



HBFDF05 Series

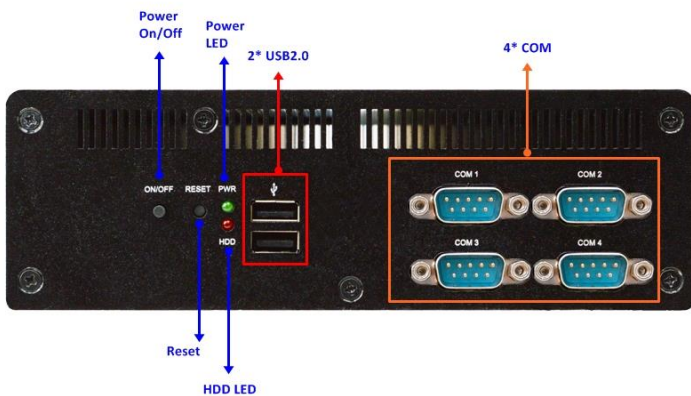
Intel® Tiger Lake-UP3 Processor, support up to 4* 4K HDR Displays or 1* 8K SDR Displays, M.2 PCIE 4.0 x4 support NVMe, 4* COM, 4* USB3.2(Gen2), 1* 2.5GbE, 1* GbE

1. Intel® Tiger Lake-UP3 SoC Processor (TDP 15W)
2. 2* SO-DIMM DDR4-3200MHz up to 64GB
3. 2* USB2.0, 4* USB3.2, 2* HDMI, 2* DP, 2* RJ45, 1*Audio
4. Support 4* 4K HDR Displays or 1* 8K SDR Displays
5. DC 90W Adapter

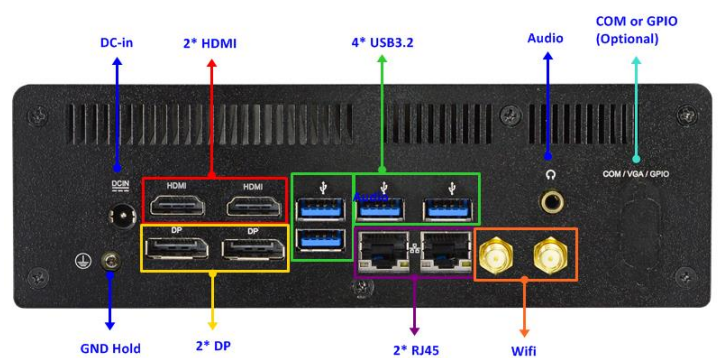


External I/O

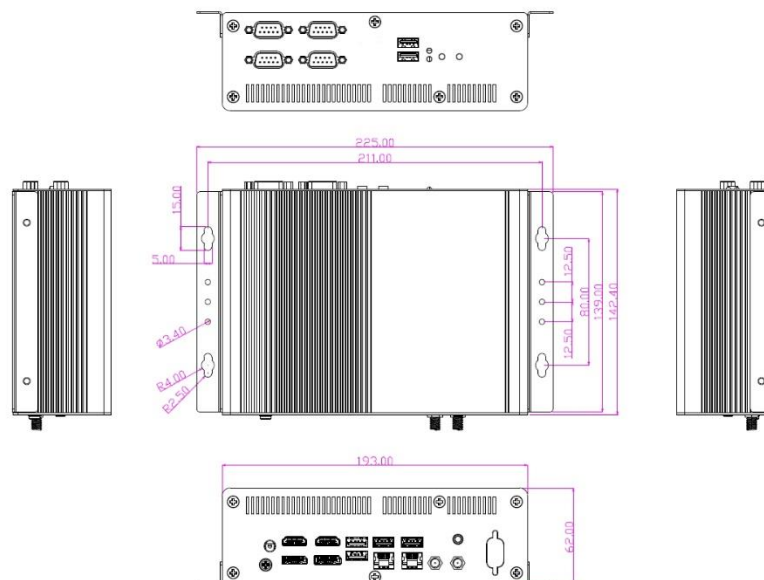
Front



Rear



Mechanical Drawings (Unit = mm)



Specifications

M/B Model

- MF05-20 (i5-1145G7E / Default)
- MF05-22 (i5-1145G7E / TPM2.0)
- MF05-90 (i5-1135G7E)
- MF05-92 (i5-1135G7E / TPM2.0)

BIOS

AMI Flash ROM BIOS

Memory

2 * SO-DIMM slots DDR4-3200MHz up to 64GB

Network

- 1 * Intel® 1.0GbE (1* i219-LM)
- 1 * Intel® 2.5GbE (1* i225-LM)

Rear Panel I/O

- 4 * USB 3.2(Gen2)
- 2 * HDMI 2.0b (Max. resolution:4096 x 2160@60Hz)
- 2 * DP1.4 (Max. resolution:4096 x 2304@60Hz)
- 2 * RJ45
- 1 * Line-out/MIC Combo
- 1 * COM or GPIO (Optional)
- 2 * Antenna holes (Optional)
- 1 * DC-in

Compliance

CE, FCC, LVD, RoHS

Temperature

- Operating Temperature: -20 ~ 50° C (Under the condition of using M.2 interface SSD)
- Operating Temperature: 0 ~ 50° C (Under the condition of using 2.5" SATA HDD) (The test environment is closed and windless)
- Storage Temperature: -20 ~ 70° C
- Humidity: Between 40% and 60%, non-condensing

Dimensions

193 (W) x 142.4 (D) x 62 (H) mm

Packing

- Net Weight: 2.2KG
- Gross Weight: 3.2KG
- Color Box dimension: 250 (W) * 118 (D) * 295 (H) mm

OS Support

Windows 10, Linux

Warranty

2 Years limited warranty

Part No

Non-WiFi

- HBFDF05-45G7-B (Default)
- HBFDF05-45G7-T
- HBFDF05-35G7-B
- HBFDF05-35G7-T

M.2 ac WiFi card

- HBFDF05I-45G7-B (Default)
- HBFDF05I-45G7-T
- HBFDF05I-35G7-B
- HBFDF05I-35G7-T

CPU/Chipset

Intel® Tiger Lake-UP3 Processor (TDP 15W), Default: 1145G7E

Notes: When the system runs, CPU will automatically adjust its working clock frequency according to changing workload.

Storage

1 * M.2 M-key (2242/2260/2280) Support PCIe4(NVMe)

Expansion

1 * M.2 E-key (2230) USB2.0/PCIex1 interface support CNVi

Front Panel I/O

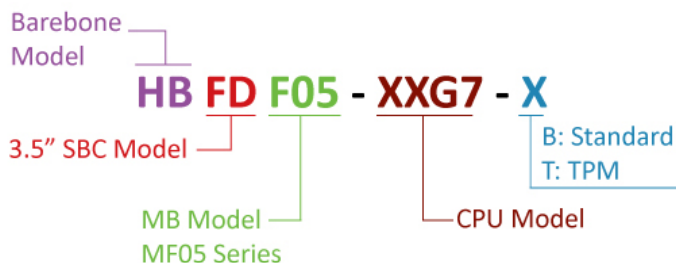
- 1 * Power button,
- 1 * Reset button
- 1 * Power LED
- 1 * HDD LED
- 2 * USB 2.0
- 4 * COM (2 sets of installation, 2 sets of accessories box)

Power Source

- DC Adapter 90W
- M/B: DC 12~24V input

* Specifications subject to change without notice, not responsible for typographical errors. Does not include HDD or OS.

Part Number Rules



Accessories

Parts Number	Description
-----	HBFD05 SERIES
	Adapter DC 90W
Change according to shipping area	Power cord
LCSCHBFDXXX-F	HBFX_Series Barebone Screw Pack
HCSFDMWM01B-F	FD Series Wall mount
HCS3XXDINRAILPS-F	DIN RAIL Clip
J05-ANT-GX57245-F	Antenna (WiFi only)
HNSCOMWFAC9260-1F	M.2 ac WiFi card (WiFi series only)
G01-COM-H2M20-1F	COM Cable

Optional Accessories

Parts Number	Description
HBDRK-FD-S	HBFD SERIES DIN RAIL KITS